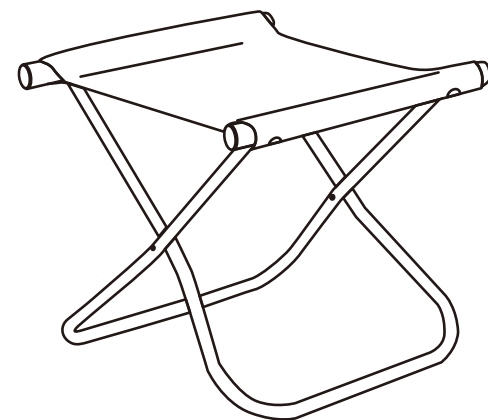


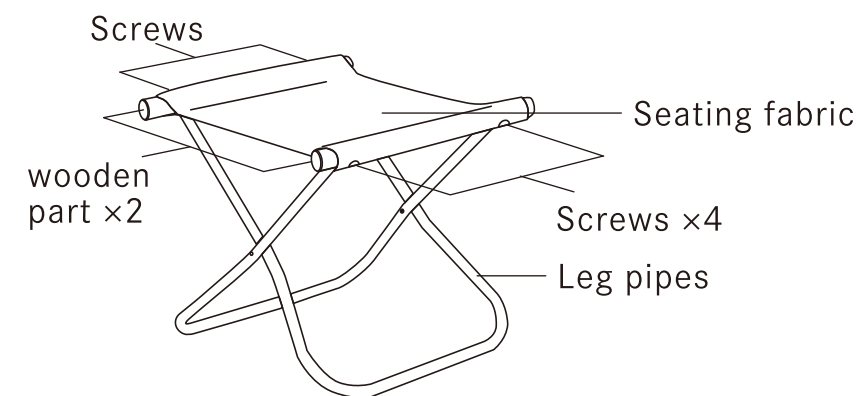
NyChair XTM Ottoman

Assembly and Instruction Manual

Thank you for purchasing our product.
Read all parts and precautions on this manual thoroughly before using this product for the safety purpose. Check each component and part prior to replacing the sheet (optional part). Follow the procedures on this manual when replacing the chair sheet.
Keep this instruction manual after reading it.



■ Completion drawing



READ THESE INSTRUCTIONS BEFORE ASSEMBLY
CAUTION

- *Prepare a Philips-head screw driver before assembly.
- *Do not use any electrical tools.
- *Ensure an enough space for assembly, and lay something to protect the floor surface.

■ Seating fabric Replacement Procedure

⚠ Precautions

CAUTION

- Do not use this chair for purposes other than sitting.
- Tighten loosened screws when needed.
- Sitting on this chair while wetting or sweating might make the seating fabric color run on your clothes.
- Strong friction while you are sitting or the seating fabric is in wet condition with water or sweat might make the seating fabric color run on other things.
- Washing the seating fabric in water might cause shrinking, color fading, or removal of adhesive. Dry-clean it when it gets dirty.
- Replace the seating fabric with the new one when it is torn.
- Handle this chair with care when using this chair on a wooden floor, carpet mat, or Japanese tatami floor, or floors could be damaged with scratches or dents.
- Avoid using this chair roughly, such as standing on it.
- Do not disassemble or modify this product.
- Placing this chair under direct sunlight or around a heater for a longer time could change its color or cause deformation due to light or heat.
- Do not use this chair on an unstable place, such as on a tilted or soft floor.
- Avoid applying excessive load on one side because it might cause you to fall.
- Lift the chair up when moving it so that it is not dragged on the floor. Failing to do so could damage the floor surface.
- Take care not to pinch your fingers when folding this chair.
- Although stainless steel is a material that does not rust easily, please note that rust occurs if your chair is used in such an environment as described below. Please perform regular maintenance on your chair by referring to the description below of how to take care of the legs of your chair.
 - (1) environments exposed to detergents or exhaust gases from cars and factories or in a hot spring area
 - (2) coastal areas (or any environment exposed to sea salt particles)
 - (3) environment exposed to hypochlorous acid or close to a water tank or trash burning site (or any environment exposed to incineration gas)

■ Maintenance

○Frames :
Wipe the legs with a dry cloth. If portions are heavily stained, remove stains with furniture cleaner or liquid soap, rinse the legs with fresh water to remove cleaner or suds residue altogether, and wipe them dry with a dry cloth.

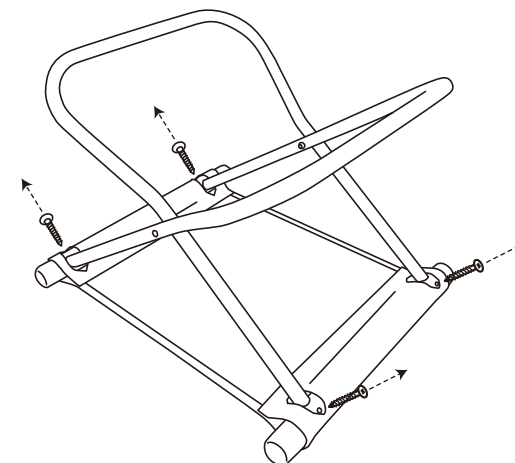
○Seating fabric :
Dry-clean the seating fabric when it is significantly contaminated. Washing this fabric in water might cause shrinking, color fading, or removal of adhesive.

■ Quality Indication

Product name		NyChair X Ottoman
Variable structure		Foldable
Dimensions	External form (mm)	Width 500 x Depth 420 x Height 350
	Seating height (mm)	330
Components	Seating fabric	Cotton 100%
	Wooden part	Natural wood
	Chair legs	Metal (Stainless-steel)
Surface processing	Wooden part	Urethane coating
Country of origin		Japan

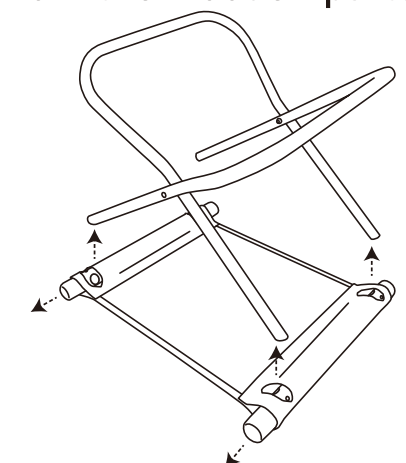
2023.03

1 Remove the screws



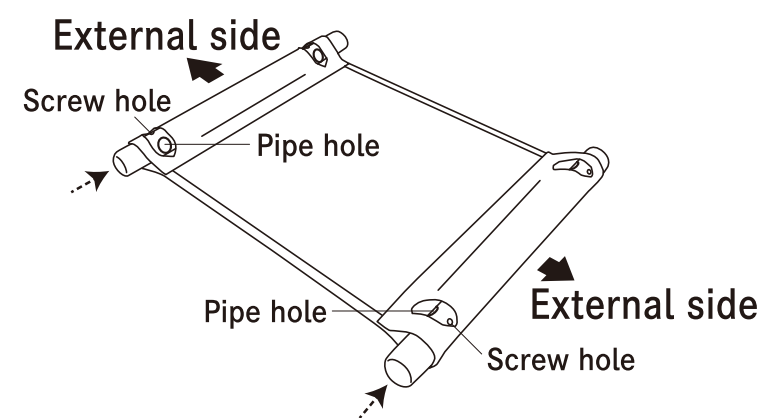
Remove all four screws by using the screw driver.

2 Remove the leg pipes from the wooden parts



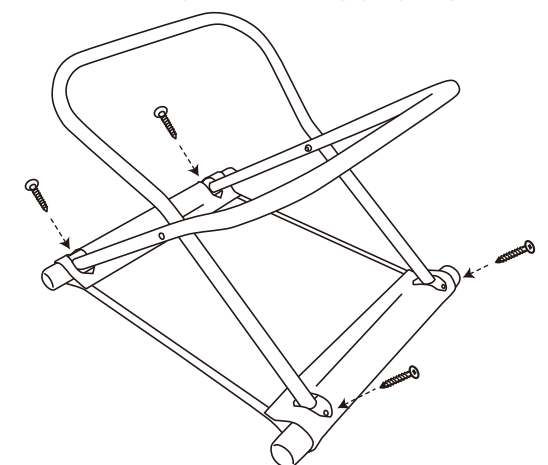
Remove the leg pipes from the wooden parts, and then remove the wooden parts from the seating fabric.

3 Install the wooden parts to the new sheet



Install the wooden parts to the new seating fabric.
*Set the screw holes so that they face toward the external side.

4 Install the leg pipes and fix them with screws



Install the wooden parts and leg pipes. Fix them with screws by using the screw driver.