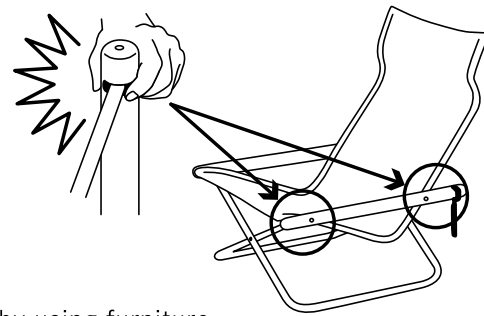




Precautions

CAUTION

- Use this chair indoors.
- Tighten loosened screws when needed.
- Sitting on this chair while wetting or sweating might make the seating fabric color run on your clothes.
- Strong friction while you are sitting or the seating fabric is in wet condition with water or sweat might make the seating fabric color run on other things.
- Washing the seating fabric in water might cause shrinking, color fading, or removal of adhesive. Dry-clean it when it gets dirty.
- Replace those deformed seat pipes or pipe caps with new parts. Replace the seating fabric with the new one when it is torn.
- Handle this chair with care when using this chair on a wooden floor, carpet mat, or Japanese tatami floor, or floors could be damaged with scratches or dents.
- Do not handle this chair roughly or use for purposes other than sitting.
- Do not disassemble or modify this product.
- Placing this chair under direct sunlight or around a heater for a longer time could change its color or cause deformation due to light or heat.
- Do not use this chair on an unstable place, such as on a tilted or soft floor.
- Avoid applying excessive load on one side because it might cause you to fall.
- Lift the chair up when moving it so that it is not dragged on the floor. Failing to do so could damage the floor surface.
- Be careful when using the rocking type so as not to catch your foot or hand between the chair legs and the floor.
- Opening and closing while holding the joint parts of the chair frame and the chair leg might cause injuries by pinching your fingers. Do not hold these parts when opening or closing the chair.



Maintenance

- Frames : Wipe them by using a dry cloth. Clean them by using furniture cleaner or liquid soap when significantly contaminated.
- Seating fabric : Dry-clean the seating fabric when it is significantly contaminated. Washing this fabric in water might cause shrinking, color fading, or removal of adhesive.

Quality Indication Made in Japan

Product name		Nychair X	Nychair X Rocking
Variable structure		Foldable	Foldable
Dimensions	External form (mm)	Width 610 x Depth 765 x Height 860	Width 610 x Depth 760 x Height 920
	Seating height (mm)	350	430
Components	Seating fabric	Cotton	Cotton
	Backrest (side core materials)	Metal (Steel)	Metal (Steel)
	Wooden part	Natural wood	Natural wood
	Chair legs	Metal (Stainless-steel)	Metal (Stainless-steel)
Surface processing	Backrest (side core materials)	Acrylic coating	Acrylic coating
	Wooden part	Urethane coating	Urethane coating

2016.10

Nychair X™

Nychair X™ Rocking

Assembly and Instruction Manual

Thank you for purchasing our product.

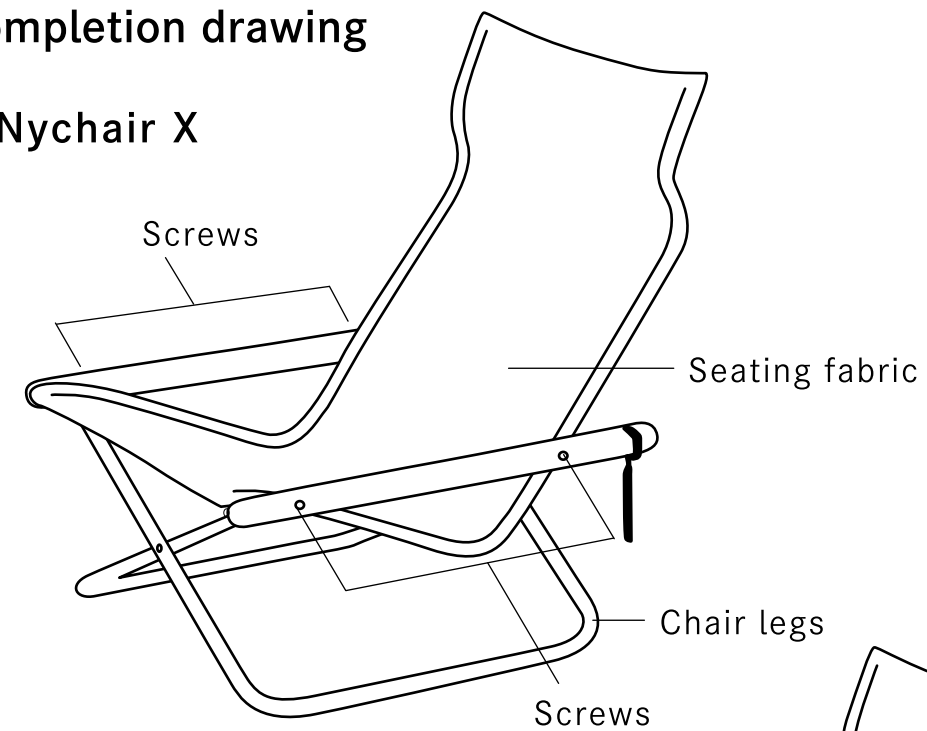
Read all parts and precautions on this manual thoroughly before using this product for the safety purpose.

Check each part and component before assembling this chair, while following each instruction.

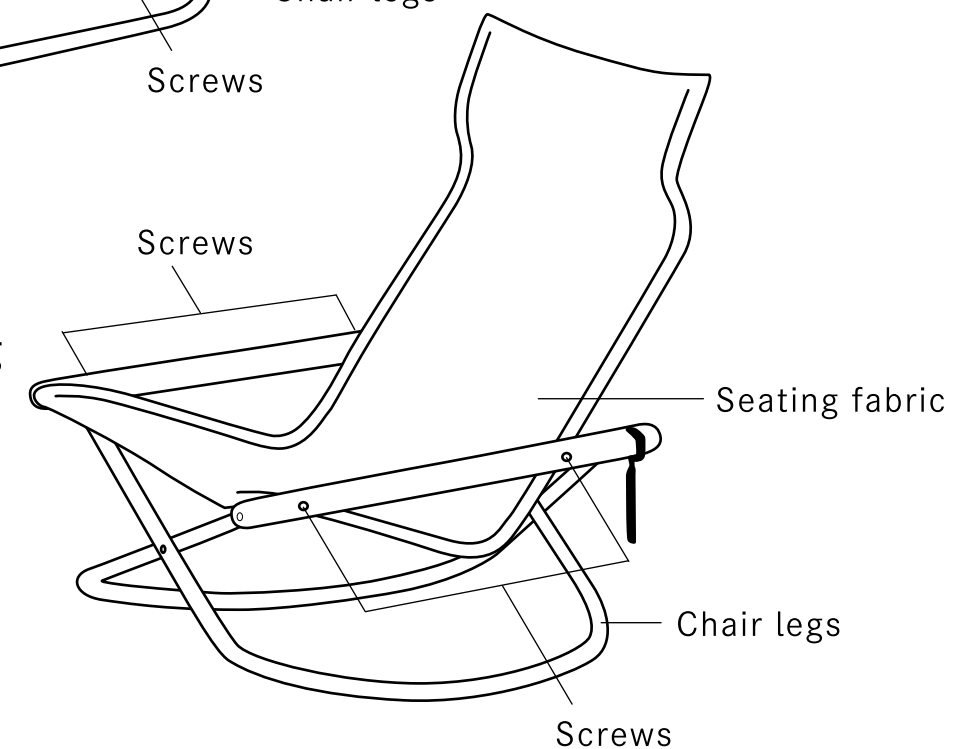
Keep this instruction manual after reading it.

Completion drawing

Nychair X

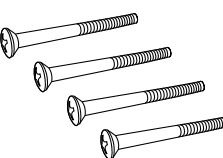
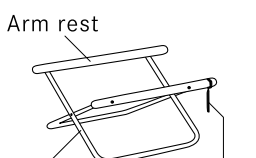



Nychair X Rocking

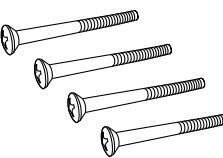
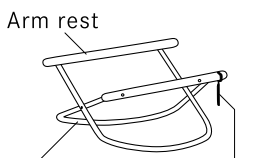



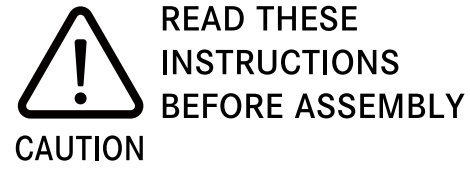
■ Assembly Components (Check all components and the quantity of each component before assembly)

Nychair X

4 screws	A pair of chair legs	Seating set
 Philips-head screw	 Arm rest Leg pipes Hanging string	 Seating fabric Pipe (inserted)

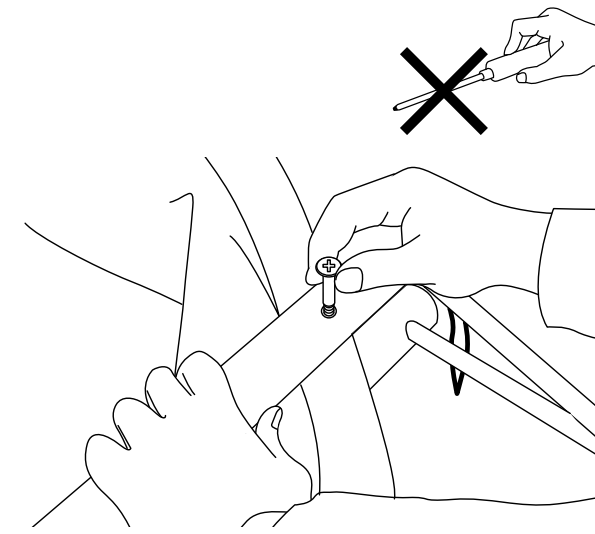
Nychair X Rocking

4 screws	A pair of chair legs	Seating set
 Philips-head screw	 Arm rest Leg pipes Hanging string	 Seating fabric Pipe (inserted)

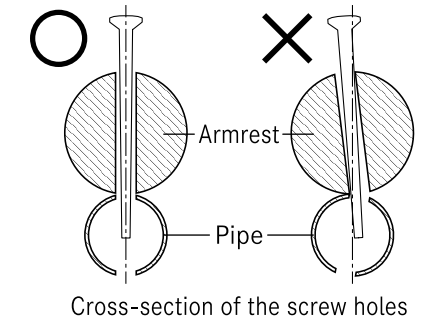
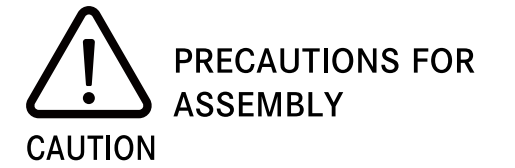


- *Prepare a Philips-head screw driver before assembly.
- *Do not use any electrical tools.
- *Ensure an enough space for assembly, and lay something to protect the floor surface.

2 Place bolts into wood arm-rest frame



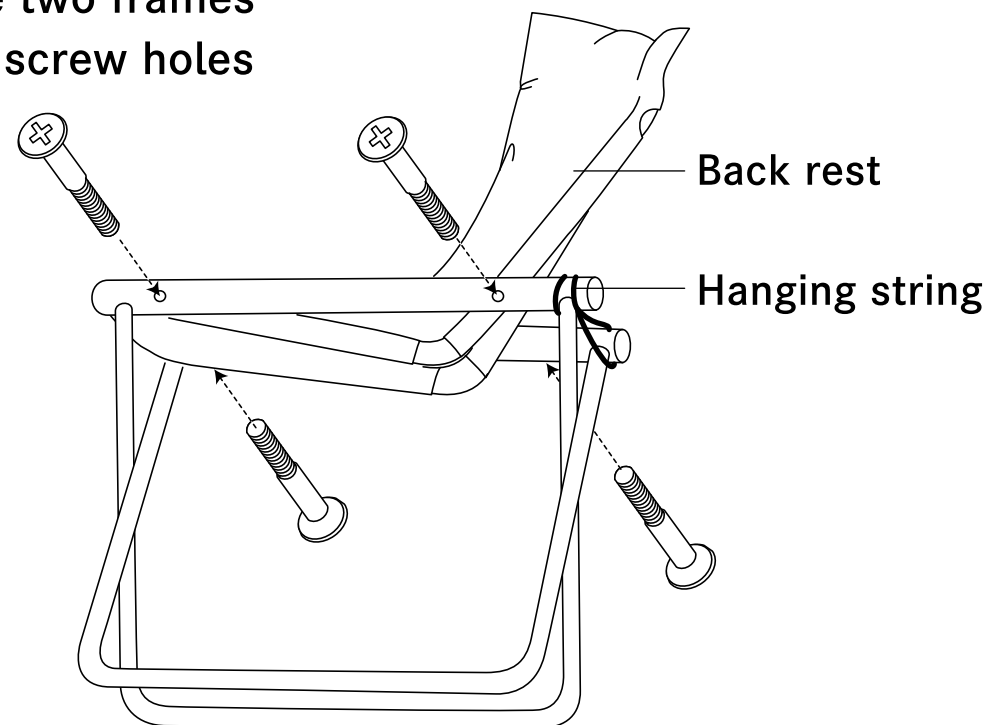
Carefully align the holes on the arm-rest frame and seating frame and insert each bolt by hand without the use of a screw driver.



- NOTE
- *make sure arm-rest frame portion is straight and aligns as shown by drawing above. Bolts should screw into both frames easily by hand and without force. If the bolt cannot be tightened by hand to within a half an inch of the outside wood arm-frame, unscrew and try again.
 - ***NEVER USE AN ELECTRIC OR BATTERY POWERED SCREW DRIVER!** This will strip the inner frame hole thus making it impossible to tighten or to take the bolt out.

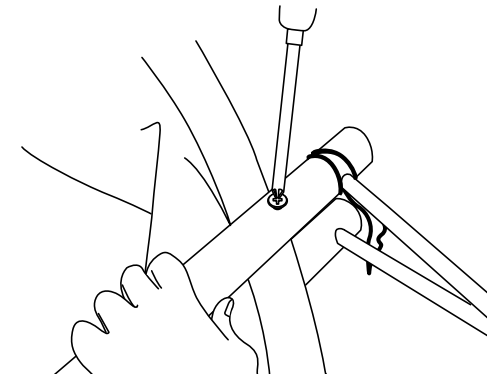
■ Assembly Procedure (for Nychair X and Nychair X Rocking)

1 Align the two frames with the screw holes



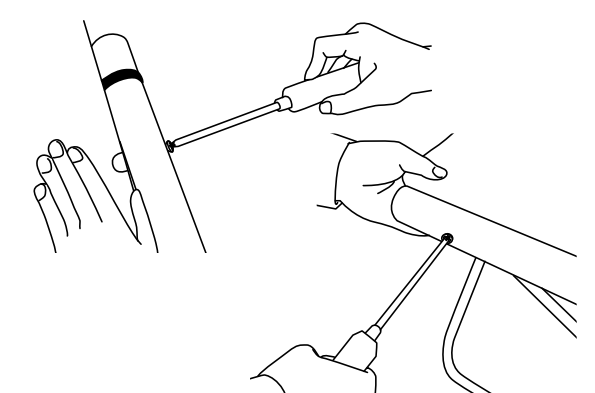
lace seating frame between the arm-rest frame and lay flat on floor as indicated by drawing.

3 Tighten bolts with screw driver



Once all bolts are securely screwed into each hole to within a half an inch of wood arm-frame, use screw driver to tighten each bolt the rest of the way, but taking special care not to over tighten. Raise and open chair.

4 Open chair and adjust the bolts



Check the tension of the seating fabric at each bolt location and tighten accordingly. Assembly is complete!

■ How to use the hanging string

Hang the hanging string to the armrest end when the chair is folded.

